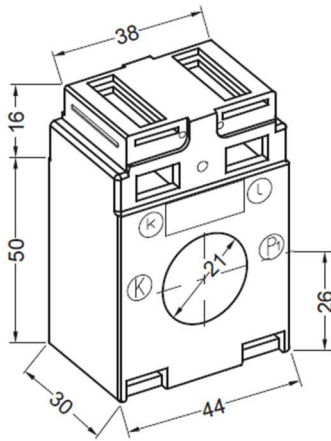


WINDOW OR TUBE TYPE CURRENT TRANSFORMER

4R21.3



Round cable
Weight

21 mm
150 - 200 g

I _{sr}	Cl.	PRIMARY RATED CURRENT I _{pr}												A				
		40	50	60	75	80	100	125	150	200	250	300	400		500			
5 A	3	1	1,25															VA
	1		1	1,25	2,5	2,5	2,5	2,5	2,5	2,5	2,5	2,5	2,5	2,5	2,5	2,5	2,5	
								3,75	5	5	5	5	5	5	5	5	5	
	0,5							1,25	1,25	1,25	2,5	2,5	2,5	2,5	2,5	2,5	2,5	
								1,5	2,0	2,5	5	5	5	5	5	5	5	
	0,5S											7,5	7,5	10	7,5	10		
											2,5	2,5	2,5	2,5	2,5	2,5		
0,2													2,5	2,5	2,5			
0,2S															2,5	5		
1 A	3	1	1,25														VA	
	1		1	1,25	2,5	2,5	2,5	2,5	2,5	2,5	2,5	2,5	2,5	2,5	2,5			
									3,75	5	5	5	5	5	5	5		
	0,5							1,25	2,5	2,5	2,5	2,5	2,5	2,5	2,5			
										3,75	5	5	5	5	5			
	0,5S											7,5	7,5					
											2,5	2,5	2,5	2,5	2,5			
0,2													2,5	2,5				
0,2S														5				

ACCESSORIES (INCLUDED IN THE SCOPE OF SUPPLY):

- 2 pcs. Secondary terminal cover (yellow sliders)
- 2 pcs. Mounting feet

OPTIONAL ACCESSORIES

- Snap-on mounting brackets for the installation on DIN rail EN 50022-35
- Copper tube $d_a = 21$ mm, $d_i = 8,5$ mm or 12,5 mm, $L = 32$ mm (other lengths upon request) for the use as a tube type current transformer
- Protective cover to increase the flash-over and creepage distances when used as a tube type current transformer (Type SH4R)

GENERAL TECHNICAL DATA:

Highest voltage for equipment U_m	0,72 kV
Rated power frequency withstand voltage (r.m.s.)	3 kV / 1 min
Frequency	50 / 60 Hz
Rated continuous thermal current I_{cth}	$1,2 \times I_{pr}$
Instrument security factor	FS5 - FS15
Rated thermal current I_{th}	$60 \times I_{pr}$ for 1 s
Rated dynamic current I_{dyn}	$2,5 \times I_{th}$
Ambient temperature	-40 ... 40°C
Temperature rise limit class	H
Normative standards	IEC 61869 Part 1 + 2 DIN EN 42600 DIN EN 50274
Enclosure	Break-proof polyamide Difficult to inflame
Secondary connection	Nickel plated cross-head screws (2 Nm) Integrated secondary terminal cover

SPECIAL DESIGNS (UPON REQUEST)

- Other ratings, burdens or accuracies
- Secondary reconnection
- Casted with resin
- Highest voltage for equipment 1,2 kV